



# 2025

## PRODUCT CATALOG

02-11-2025

**ADDING FUN AND FUNCTION TO EVERY ADVENTURE**

 **STROMBERG CARLSON**

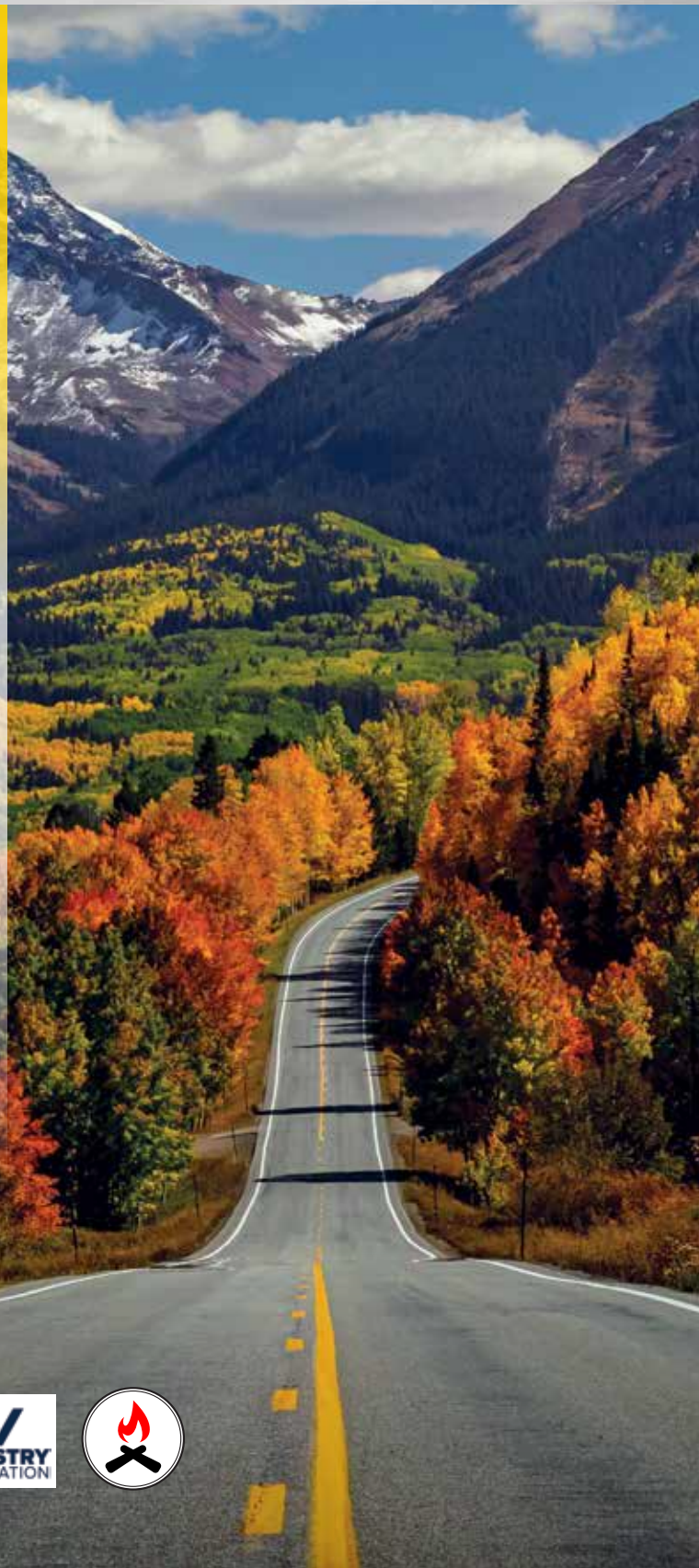


# IT PAYS TO BE STROMBERG STRONG.

At Stromberg Carlson, we're celebrating over 65 years of delivering what your customers demand most. Namely, confidence, convenience, durability and value that lasts a long way down the road.

Since 1959, when our grandfather David Stromberg started the business, we've remained committed to a level of quality and innovation that has made us one of the most trusted names in the industry. Which means when you work with us, we're behind you and your business for the long haul.

**STROMBERG STRONG**



**2025 PRODUCT CATALOG**  
[WWW.STROMBERGCARLSON.COM](http://WWW.STROMBERGCARLSON.COM)

# INDEX

Accessory Hitch.....	27	Jack-In-A-Box.....	15
Base Pads .....	9	Kits – Stabilizing & Leveling .....	10
Base Pad Chart.....	9	Ladders .....	18
Base Pad Extreme.....	8	Ladder Bike Rack .....	20
Base Pad Leveler.....	12	Ladder Chair Rack .....	20
Base Pad Peak .....	8	Ladder Replacement Parts .....	19
Base Pad Shoe.....	11	Lend-A-Hands .....	4
Base Pad Scissor Jack Shoe .....	11	Lend-A-Hand Extended Rail.....	4
Bike Bunk .....	26	Lend-A-Hand Banister Rail .....	5, 35
Bike Carriers .....	28, 29	Locking Lend-A-Hand.....	6
Bumper Receiver .....	27	Manual RV Steps.....	17
Cargo Caddy .....	24	New Products .....	35
Cargo Caddy Bike Rack.....	24	Platform Steps.....	16
Clothes Line (Bumper Mount) .....	22	Rail Mate .....	7
Displays & Signs .....	31-34	Replacement Hand Rail Grips.....	7
Dura Grip.....	7	Scissor Jacks.....	14
Econo Porch.....	16	Soft Touch.....	4
Electric Tongue Jacks .....	13	Stabil-Step .....	15
Electric Tongue Jack Cover .....	13	Stake & Grill .....	23
Extend-A-Shower.....	23	T-Chock .....	12
Extend-A-Line .....	22	Tailgates.....	30
Fifth Wheel Landing Gear .....	21	Tire Carriers .....	17
Gen Secure.....	27	Tongue Jack Dolly Chock.....	13, 35
Hitching Post.....	15	Trailer Tray.....	25
Hot Stick .....	23	Wheel Chock .....	12
Hose & Cord Caddy .....	24	Zip Grip .....	7

# COME ON. GET A GRIP.

## STROMBERG RAILS



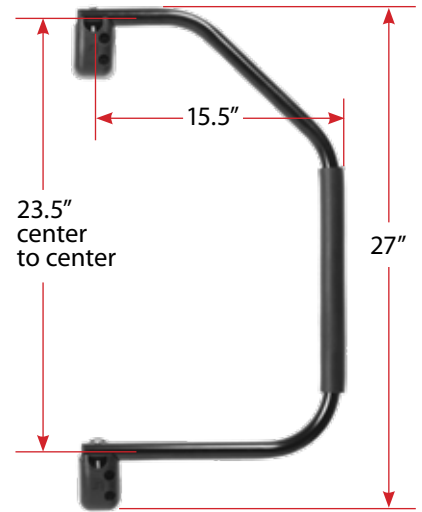
### Lend-A-Hand



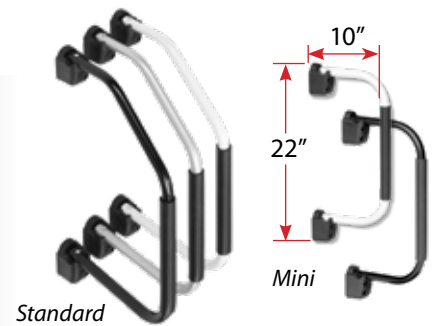
#### Foam grip for easier handling

- Aluminum powder coated tubing to resist rust
- Folds in either direction
- No tools required for securing rail in open or closed positions
- Will not break a fall, but will help prevent it
- Made in the USA

- AM-200\* White Finish
- AM-300\* Silver Sparkle Finish
- AM-800\* Black Finish
- AM-250\* White Finish (Mini)
- AM-255\* Black Finish (Mini)
- FP-1001-R\* Original Foam Grip
- FP-1002-R\* Replacement Grip Wrap



You may have a 2 or 3 hole bracket depending on your model number.



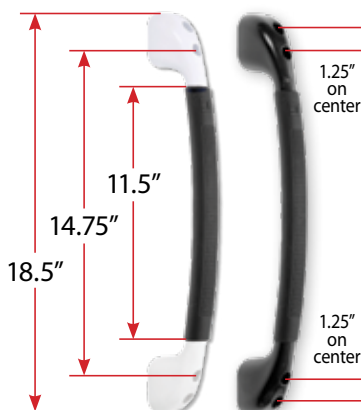
### Soft Touch



#### Easy-to-grab, soft-touch handle

- Comfort molded finger grips
- Greater convenience and safety than a plastic or aluminum strap
- Made in the USA

- AH-100\* White Handle
- AH-150\* Black Handle



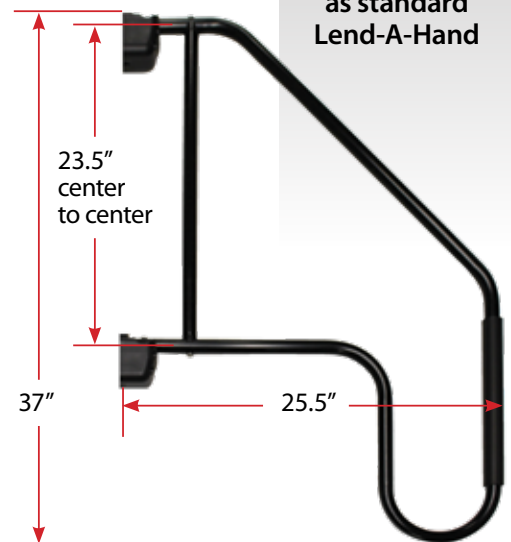
### Lend-A-Hand Extended Assist Rail



#### Extends additional 10" out and 13.5" down for better user balance

- Aluminum powder coated tubing to resist rust
- No tools required for securing rail in open or closed positions
- Will not break a fall, but will help prevent it
- Made in the USA

- AM-533\* Black Finish



Same footprint and bracketry as standard Lend-A-Hand

# LEND-A-HAND

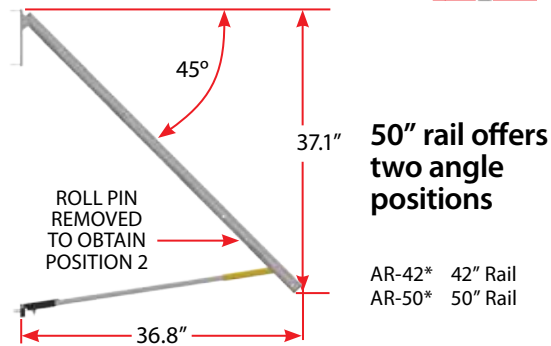
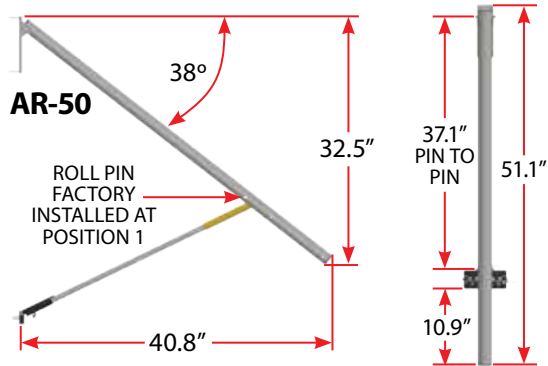
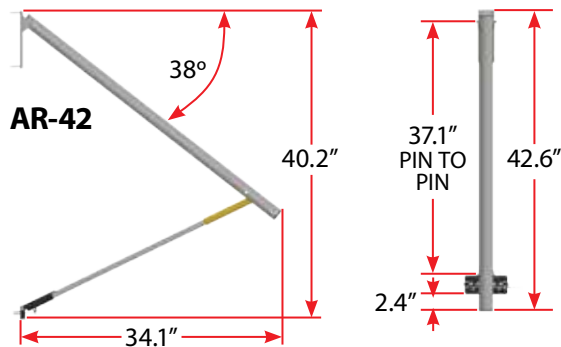
# Banister Rail



## Banister style rail provides steady, smooth support as you go up or down steps

**Annodized finish with ribbed tubing for better grip**  
**Available in 42" or 50" lengths**

- Folds flat and locks against side of RV without tools
- 42" rail designed for all double and some triple steps
- 50" rail designed for some triple and all quad steps

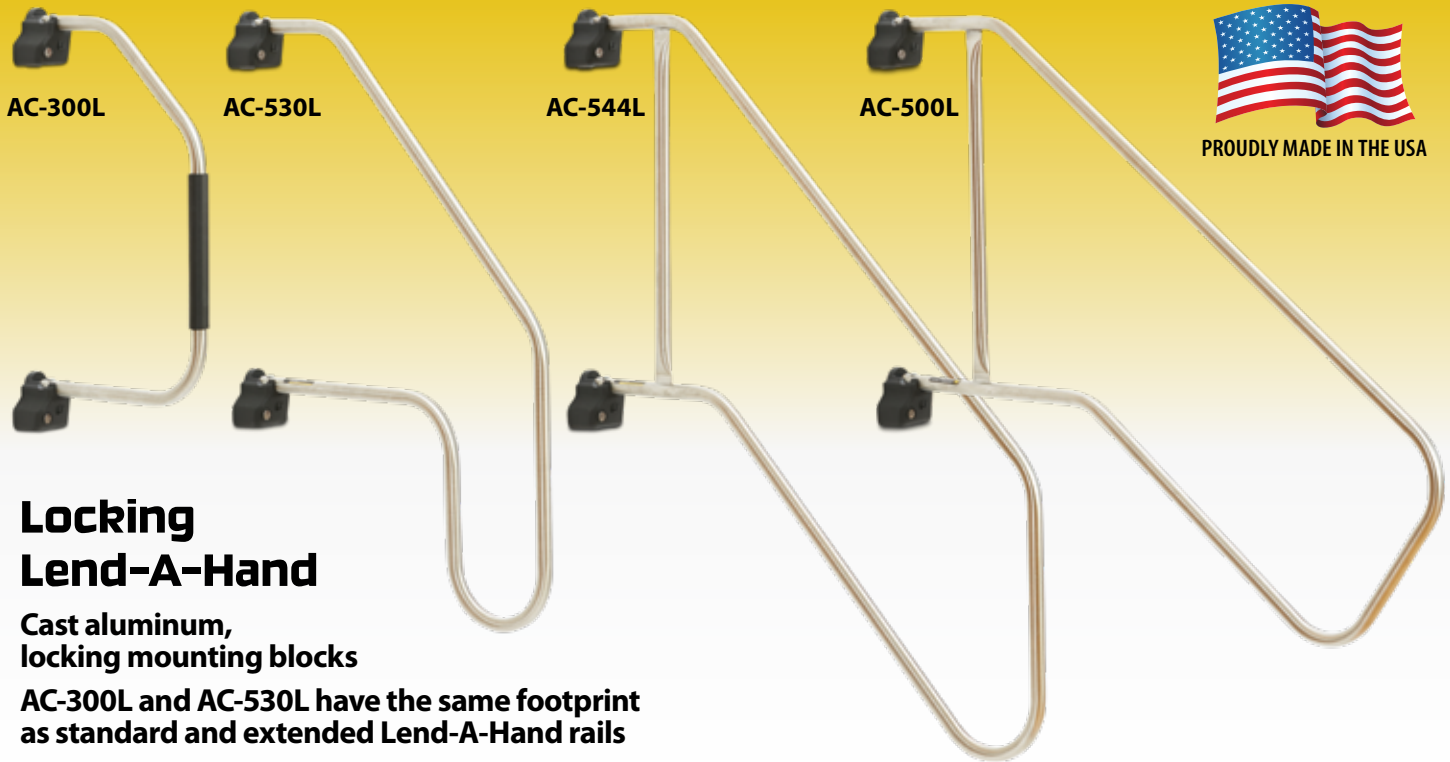


Scan for installation video

Patent Pending

# LOCKING COMMERCIAL RAILS

**STROMBERG RAILS**



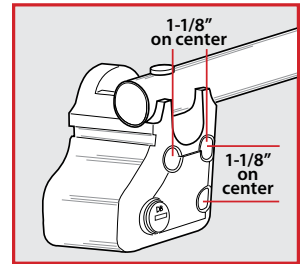
## Locking Lend-A-Hand

Cast aluminum, locking mounting blocks

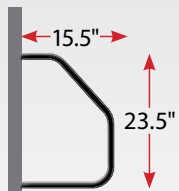
AC-300L and AC-530L have the same footprint as standard and extended Lend-A-Hand rails

- 1" round stainless steel rail tube
- Can support up to 200 lb when mounted correctly
- Railing can swing in either direction
- No tools required for securing rail in open or closed position once installed
- Compatible with Bauer Key'd-A-Like Program
- Backer plate kit available AM-030L (hardware for one complete rail)
- For hand grips, see Dura Grip and Zip Grip
- Made in the USA

AC-300L\* AC-544L\*  
 AC-530L\* AC-500L\*  
 AM-030L\* Backer Plate Kit

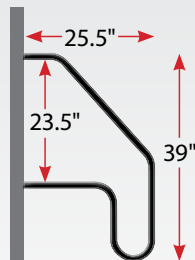


**AC-300L**



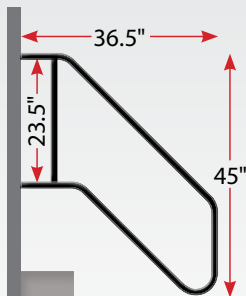
AC-300L with a 9" Rise and 8" Run Step

**AC-530L**



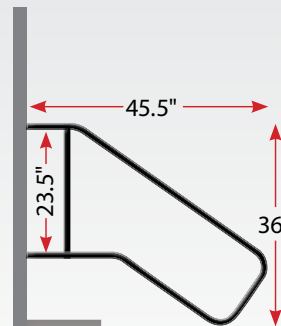
AC-530L with a 9" Rise and 8" Run Step

**AC-544L**



AC-544L with a 9" Rise and 8" Run Step

**AC-500L**



AC-500L with a 7" Rise and 11" Run Step

**AM-030L**



**Backer Plate Kit**  
 Required for structural backing if no door stud is available at mounting hole (sold separately)

# HAND RAIL GRIPS



## Dura Grip

Replace worn out hand rail grip

Soft molded rubber hand hold for comfort

- Add an additional grip along rail
- Fits any 1" diameter rail or tube
- Two sided tape keeps it from turning in your hand
- Cable ties included for security
- Durable and rot resistant
- 2 year warranty
- Made in the USA

AM-01\* Dura Grip



PROUDLY MADE IN THE USA

Easy snap and lock installation

No tools required



Scan for installation video

## Zip Grip



AM-ZIP22 AM-ZIP39 AM-ZIP2239

Keep your hand comfortable and cool with colorful Zip Grip

3 colors available, Charcoal, Blue, and Tan to match your coach

- Made of UV resistant neoprene with a rubber backing material
- Fits any 1" diameter rail
- Machine washable on gentle cycle, hang to dry
- Nylon zipper has a 2 year warranty
- Pockets available for cable ties to secure it to your handle
- Lend-A-Hand not included



Scan for installation video

### AM-ZIP22

Grip length 22" (Fits AM-250, AM-255)

### AM-ZIP39

Grip length 39"  
(Fits AM-200, AM-300, AM-800, AC-300L)

### AM-ZIP2239

2 pieces, Grip lengths 22" & 39"  
(Fits AM-533, AC-500L, AC-530L, AC-544L)

AM-ZIP22C*	Charcoal	AM-ZIP2239C*	Charcoal
AM-ZIP22B*	Blue	AM-ZIP2239B*	Blue
AM-ZIP22T*	Tan	AM-ZIP2239T*	Tan

AM-ZIP39C*	Charcoal
AM-ZIP39B*	Blue
AM-ZIP39T*	Tan

## Replacement Hand Rail Grips

FP-1001-R\* Original Foam Grip  
FP-1002-R\* Replacement Grip Wrap



Scan for installation video



## Rail Mate

Large handle is easy to reach and use

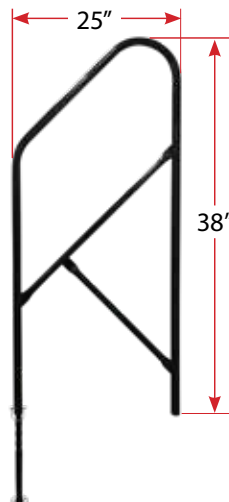
Designed for most double, triple, quad entry manual steps

- Helps you keep your balance entering or exiting RV
- Lightweight, easy to install
- Easily removable to store during travel
- Rail extends 25" from coach for added safety
- Does not require you to drill into the wall of coach
- Will not break a fall, but will help prevent it
- Made in the USA

AP-101\* Rail Mate



PROUDLY MADE IN THE USA



Adjustable drop-down leg adds up to an additional 24" to the rail's height



New adjustable bracket

# Stromberg Base Pads



## Base Pad Extreme

**Extends life of hydraulic leveling system by minimizing length of travel**  
**Improves stability of your parked and leveled RV**

- 6000 lb capacity, 3500 lb when two are stacked
- Side panel finger hole for ease of carrying and retrieving
- Light weight polycarbonate materials – like bullet proof glass
- Can be used with 1" or 2" thick Base Pads on soft surfaces – like hot asphalt or sand
- Won't cut any RV shoe or pad
- 1" shorter than other brands to be used in unlevel conditions at all six points
- No magnets
- Made in the USA

- JBP-712.1\* Single Pack
- JBP-712.2\* 2 Pack
- JBP-712.4\* 4 Pack
- JBP-712.6\* 6 Pack



Scan here for video



## Base Pad Peak



**Extends life of tongue jack, scissor jack or stab jack by minimizing length of travel**

- Blocks your tongue, scissor or stab jacks
- Light weight, high strength material
- 3500 lb capacity individually, 3000 lb capacity when stacked
- Side panel finger hole for ease of carrying and retrieving
- Made in the USA

- JBP-813.1\* Single
- JBP-813.2\* 2 Pack
- JBP-813.4\* 4 Pack
- JBP-813.5\* 5 Pack



Scan here for video





# BASE PADS

## Base Pads

Available in 4 sizes



Provides reliable support for your RV – on any surface

**Molded EPDM rubber (not crumb rubber)  
will not split, shred, crack or break**

- Can be used on landing gear feet, scissor jack bases and tongue jacks
- 30,000 lb capacity evenly loaded
- Resistant to UV, water, mold and corrosion
- Easy to clean and store
- Interlock Base Pads to ramp up to level
- Made in the USA

JBP-69.625\*      JBP-1214.1\*  
(6"x9"x.625") 4 Pack      (12"x14"x1") 2 Pack  
JBP-1011.1\*      JBP-1214.2\*  
(10"x11"x1") 2 Pack      (12"x14"x2") Single Pack



**Use with  
Base Pad Extreme  
on soft surfaces like  
sand or hot asphalt**



**6" x 9" Pad**

**10" x 11" Pad**

**12" x 14" Pad**

Standard  
Tongue  
Jack Foot



Standard  
Scissor  
Jack Foot



Standard  
Landing  
Gear Foot



Premium  
9" Landing  
Gear Foot

Does Not Fit



# STABILIZING & LEVELING KITS

## Travel Trailer Stabilizing & Leveling Kit



This 14-piece kit has everything needed to stabilize your single or double axle trailer.

JBP-TTKIT\*

### KIT INCLUDES:

- (1) JBP-813.1 Base Pad Peak
- (1) JBP-69.625 Base Pads (4 pack)  
6" x 9" x .625"
- (2) JBP-C256 Wheel Chocks
- (2) JBP-C300 Base Pad Levelers  
(includes chocks and anti-slip mats)
- (1) Storage Bag



Scan here for video



## Fifth Wheel Stabilizing & Leveling Kit

This 9-piece kit improves the stability of your parked and leveled Fifth Wheel.

JBP-FWKIT\*

### KIT INCLUDES:

- (4) JBP-712.1 Base Pad Extreme  
Light weight polycarbonate material
- (4) JBP-C256 Wheel Chocks  
Molded EPDM rubber (not crumb rubber)
- (1) Storage Bag



# BASE PADS THAT STAY ATTACHED

## Base Pad Shoe

### Jack Pads that stay attached!



**9" Shoe** fits Lippert's 4 and 6 point leveling systems

**9" Shoe** fits round footpads made by Lippert, Pac Rim or Venture

**10" Shoe** fits EQ Systems round and octagonal 4 and 6 point leveling systems

**12" Shoe** fits EQ Systems 11.5" or 12" round foot for 4 and 6 point leveling systems

- Molded EPDM rubber (not crumb rubber) will not split, shred, crack or break
- EQ System often requires both 12" and 10" on the same RV
- Stays attached — no need to store
- Unique bottom increases ground stability — more surface area
- Protects footpads from rocks and roots
- Protects RV pad from rust stains
- Can support a 100,000 lb coach with 4 and 6 point leveling systems
- Ensure a maintenance free future when you add a fresh coat of paint to your footpads prior to installation
- Made in the USA

JBP-S9.1\* 9" Single Pack  
 JBP-S9.2\* 9" 2 Pack  
 JBP-S9.4\* 9" 4 Pack  
 JBP-S9.6\* 9" 6 Pack

JBP-S10.1\* 10" Single Pack  
 JBP-S10.2\* 10" 2 Pack  
 JBP-S10.4\* 10" 4 Pack

JBP-S12.1\* 12" Single Pack  
 JBP-S12.2\* 12" 2 Pack



## Base Pad Scissor Jack Shoe

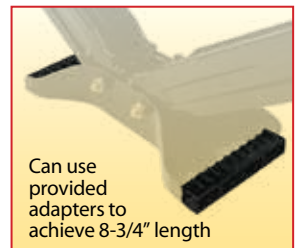
### Jack Pads that stay attached!



**Increases contact over 130%**

**Fits all brands scissor jacks with a bow tie base**

- Insulates base from elements
  - Adds traction on ground or block
  - Molded EPDM rubber (not crumb rubber) will not split, shred, crack or break
  - Made in the USA
- JBP-SJSC.2\* 2 Pack



# STABILIZE AND LEVEL

## T-Chock

FOR TANDEM AXLES

Pressure applied against each axle locks tires in place, stabilizing the floor of your coach

- Fits tires spaced 2" to 17" apart
- Rust-resistant coating
- Handle for easy carrying and retrieving
- Wrench and handle included on all models



JBP-T217.1\*  
Single Pack

JBP-T217.2\*  
2 Pack

JBP-T217.W\*  
Replacement Wrench



Scan here for video

## Trucker-Style Wheel Chock

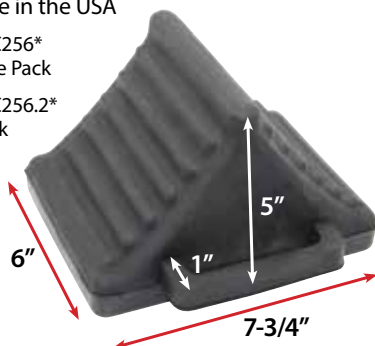


Tough enough to hold even large motor coach tires in place

- Molded EPDM rubber (not crumb rubber) will not split, shred, crack or break
- Resistant to UV, water, mold and corrosion
- Provides reliable support for your RV – won't slide on hard surfaces
- Easy to clean and store
- Made in the USA

JBP-C256\*  
Single Pack

JBP-C256.2\*  
2 Pack



## Base Pad Leveler



With Chock and Anti-Slip Mat

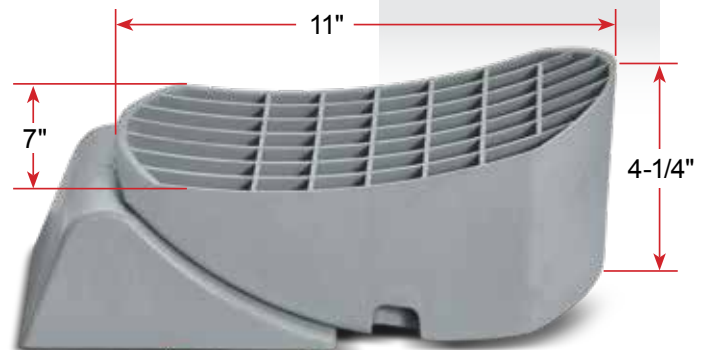
Light weight, high strength material

- 30,000 lb capacity
- Includes leveler, chock and anti-slip mat
- Curved edges for easier removal between wheels
- Shorter length for compact storage
- Made in the USA

JBP-C300\* Single Pack  
JBP-C302\* 2 Pack



Scan here for video



# WE KNOW JACK. AND THEN SOME.

## ELECTRIC TONGUE JACKS

Take the physical exertion out of cranking a trailer up or down!

### Electric Tongue Jacks

Available in 2500, 3500, 4500 and 5000 lb capacities

Ball screw mechanism for smoother, quieter operation (4500 lb)



**Ball screw technology on 4500 lb model allows jack to work with half the power of other jacks**

Cycles or continuously resets until the fault is corrected. Type I thermal circuit breakers are typically used to protect circuits which occasionally experience momentary overloads such as wiper motor and headlamp circuits where a self resetting device is preferred. They are not designed for long term cycling. It is recommended they are installed downstream of a main fuse, manual reset breaker or momentary switch.

Extend the life of any tongue jack by using **Base Pad Peak** or **Base Pad Extreme** to shorten the distance of travel and create a more robust support column.



- Retracted height 31-3/8"
- 18" vertical travel
- 5" drop down foot (3500, 4500, 5000 lb models)
- LED work lights for easy nighttime hookups
- Built in level
- 5-1/2" foot pad diameter
- Emergency crank through head
- 2 year limited warranty
- Full line of replacement parts

- JET-2500\* 2500 Pound Capacity
- JET-3755\* 3500 Pound Capacity Black
- JET-3555\* 3500 Pound Capacity White
- JET-4500\* 4500 Pound Capacity
- JET-5000\* 5000 Pound Capacity



Scan for troubleshooting video



Scan for installation video



### Electric Tongue Jack Cover

Protects electric tongue jack from weather while parked or traveling

- Water resistant, vinyl jack head cover with drawstrings
- Fits all electric tongue jacks
- Easily folds for storage

JET-01\*



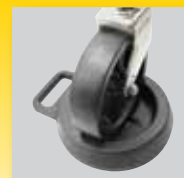
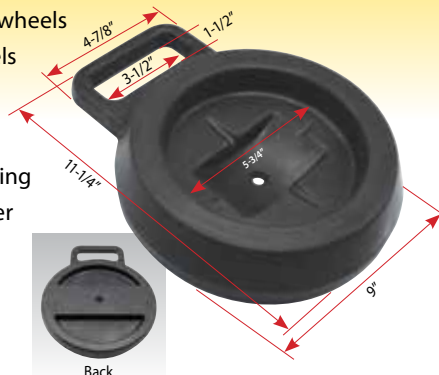
### TONGUE JACK Dolly Chock

Dolly will never roll away again



- Fits 6" and 8" single wheels
- Fits 6" tandem wheels
- Fits 5.5" and 6" round jack feet
- Drain hole provided and handle for carrying
- Molded EPDM rubber (not crumb rubber) will not split, shred, crack or break
- Made in the USA

JBP-TJ6\*



# SCISSOR JACKS

## Scissor Jacks

Keeps your coach level and stable

Bowtie base sits well on hard and soft surfaces



No more hand cranking with JSC-30!

Socket included to use with your power drill



**JSC-24**  
**24" SCISSOR JACK**  
expands from 4" to 24"

**5000 lb per jack**

- JSC-24\* Pair of jacks & handle
- JSC-24-IND\* Single jack
- JCH-1\* Crank handle

**JSC-30**  
**30" SCISSOR JACK**  
expands from 4-3/4" to 29-3/4"

**7500 lb per jack**

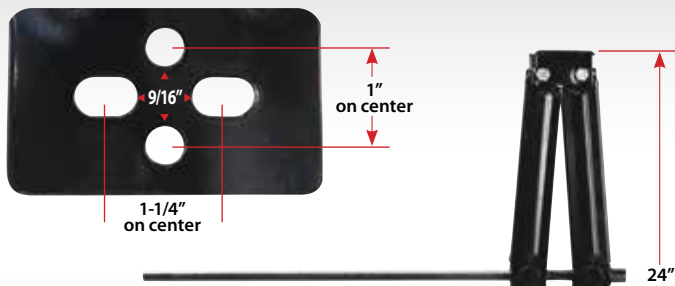
- JSC-30\* Pair of jacks & socket
- JSC-30-IND\* Single jack & socket
- JCH-2\* Socket

Use Stromberg **Base Pads** or **Scissor Jack Shoes** for additional protection and stability.



The weight rating of a jack is in relation to its ability to support a certain amount of weight, not "lift" an amount. Mixing a 5000 lb jack with other 2500 lb jacks is fine. They are almost the same size. The mechanical difference is the gauge of metal used.

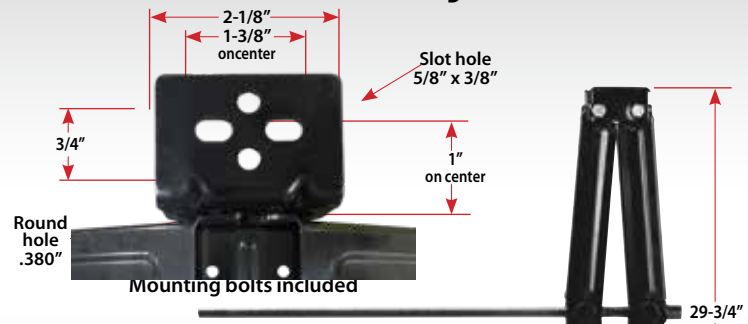
### 24" SCISSOR JACK



Jack width 2-1/4"  
5000 lb capacity



### 30" SCISSOR JACK



Jack width 2-3/8"  
7500 lb capacity



# STABILIZE AND LEVEL

The surprise in this  
**Jack-in-a-Box**  
 is that it stabilizes  
 more than 10,000 lb **QUICKLY!**

Adjusts  
 between  
 20" to 46"



Easy snap  
 and lock  
 adjustment



Removable  
 U-top fits  
 most frames

- Two jacks per carton
- Used to stabilize slide outs
- All parts are powder-coated or zinc-plated for corrosion resistance

- Easy snap and lock adjustment
  - Supports 5000 lb per jack
  - Foldable handle for compact storage
- JB-246\*



## The Hitching Post

Keep your trailer connections  
 clean for better performance.

- Plug cover keeps out water, mud and dirt
  - Chains snap in easily
  - Fits manual or electric jacks
  - Mounts on 2" to 2-5/16" jack posts
- JET-30\*



Scan for  
 installation  
 video

## Stabil-Step

Lengthen the life of any tread and step assembly  
 attached to your RV by reducing load

- Eliminates sway for safe entry and exit
  - Supports up to 750 lb
- JSS-4\*  
 Adjusts 4-1/4" to 7-3/4"
- JSS-7\*  
 Adjusts 7-3/4" to 14"
- JSS-85\*  
 Adjusts 8-1/2" to 15-1/2"



# STEP RIGHT UP. SAFELY.

## RV STEPS

Our large platforms are strong, easy to use and provide traction for added safety.



### Die Cast Aluminum Step

- Step supports 1000 lb
- Die cast aluminum is more durable and dependable than welding
- Solid foot bottom won't cut rubber non-skid pad
- Rubber feet on legs prevent platform from slipping
- Large platform provides traction for safety
- Lightweight and rust resistant
- Reflective tape included (can be installed by customer)

PA-150\*



### Steel Step

**Solid steel construction with easy folding legs**

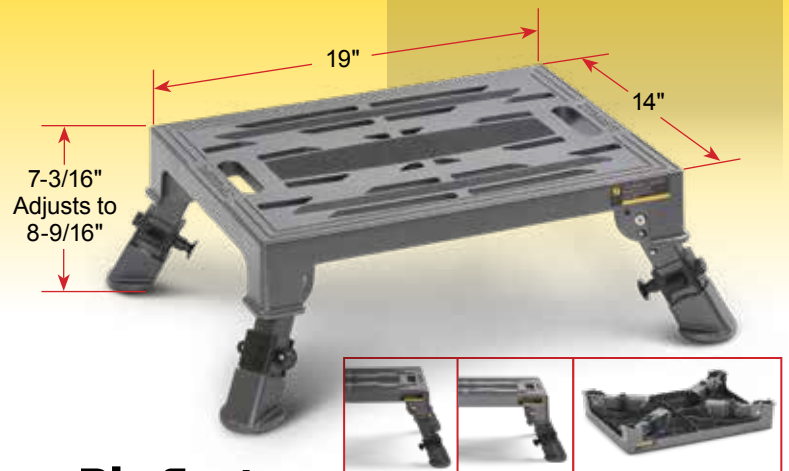
- Non-skid solid surface ensures pet's toe nails don't get trapped
- Maximum load 300 lb
- Legs deploy past the plane of platform providing stability in all directions
- 1.75" square steel foot plates ensure good contact on all surfaces

S-150\*



Scan here for video

Each leg adjusts independently using push buttons  
Three different height settings



### Die Cast Adjustable Aluminum Step

- Step supports 1000 lb
- Die cast aluminum is more durable and dependable than welding
- Solid foot bottom won't cut rubber non-skid pad
- Rubber feet on legs prevent platform from slipping
- Large platform provides traction for safety
- Lightweight and rust resistant
- Reflective tape included (can be installed by customer)

PA-275\*

### Econo Porch



**Interchangeable handrail for left or right hand usage**  
2 and 3 step models available

- Landing platform: 27" wide x 16" deep
- 27" wide x 9" deep steps
- 2 step platform height: 21" (with 7" rise)
- 3 step platform height: 28" (with 7" rise)
- Porch supports 300 lb
- Made in the USA

EHS-102-R\* 2 Step  
EHS-103-R\* 3 Step





# MANUAL RV STEPS

## Manual Steps by Flexco

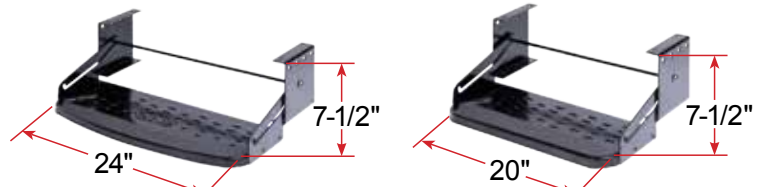


Replaces any step on the market

- 300 lb capacity
- "Low profile" single steps available
- Extremely sturdy and reliable
- Made in the USA

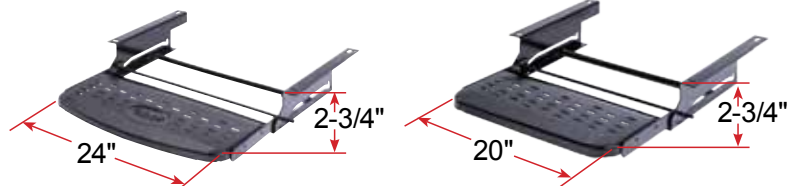
Step Model	X	Y
SMFP-1100	23-1/4"	4-1/2"
SMFP-1120	19-5/16"	4-1/2"
SMFP-1200	26-1/2"	12-1/2"
SMFP-1220	22-1/2"	12-1/2"
SMFP-2100	24-5/8"	7"
SMFP-2120	20-5/8"	7"
SMFP-3100	25-1/2"	5-1/2" / 7"
SMFP-3200L	25-3/8"	5-1/2" / 7"
SMFP-4400	25-3/8"	5-1/2" / 7"

- SMFP-1100\* 24" W Single 7-1/2" Rise
- SMFP-1120\* 20" W Single 7-1/2" Rise
- SMFP-1200\* 24" W Single 2-3/4" Rise
- SMFP-1220\* 20" W Single 2-3/4" Rise
- SMFP-2100\* 24" W Double 8" Rise
- SMFP-2120\* 20" W Double 8" Rise
- SMFP-3100\* 24" W Triple 8" Rise
- SMFP-3200L\* 24" W Triple 9-1/2" Rise
- SMFP-4400\* 24" W Quad 8" Rise



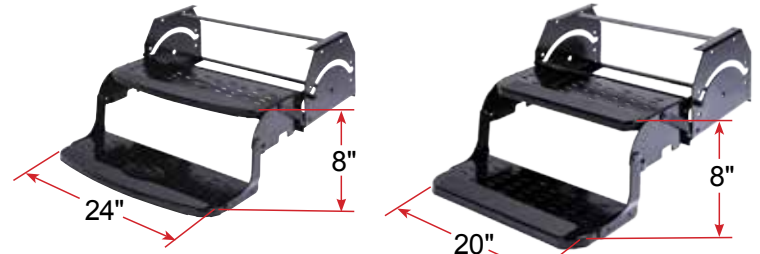
SMFP-1100

SMFP-1120



SMFP-1200

SMFP-1220



SMFP-2100

SMFP-2120



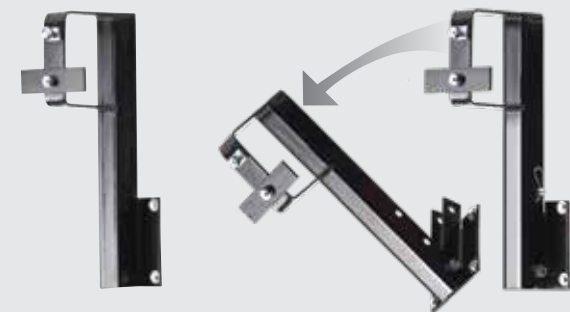
SMFP-3100



SMFP-3200L



SMFP-4400



TR-1 Universal Rigid

TR-2 Universal Folding

## Tire Carriers

Universal tire carrier for 14", 15" and 16" travel trailer or fifth wheel tires



Scan for installation video

- Formed column is flanged and gusseted to reduce tire vibration
- Easily bolts to a 4" square bumper
- Never use with a Class C or A motorhome spare tire
- No welds to break
- Folding carrier has built in stop so the tire won't fall when tilted down — gives access to rear storage

TR-1\* Universal Rigid  
TR-2\* Universal Folding

# MORE WAYS TO CARRY ON AND CLIMB ABOARD.

## RV LADDERS

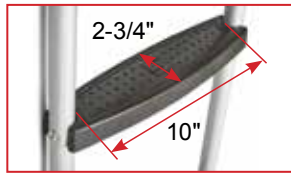
### Bunk Ladder

Available in multiple lengths and colors

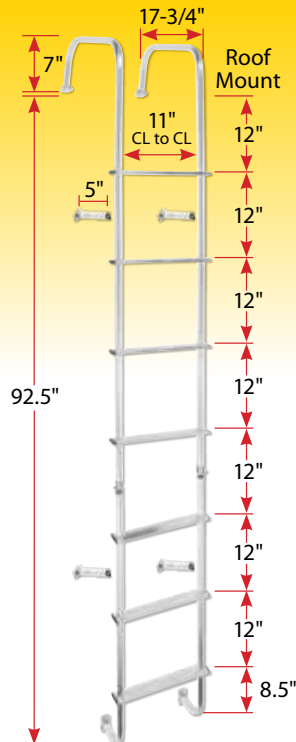


- Injection molded treads provide comfort to bare feet
- Ladders can be trimmed for access to shorter bunks
- 250 lb maximum (at an 11° mounting angle)
- Large hooks can go over fascia board or mount included bracket for more security
- Shipped unassembled
- Made in the USA

LA-2021460\* 60" Ladder Silver  
 LA-2021466\* 66" Ladder Silver  
 LA-2021460B\* 60" Ladder Black  
 LA-2021466B\* 66" Ladder Black



Scan for assembly video



### Universal Exterior RV Ladder

Can fit on the rear of any RV – straight or contoured

- Rugged construction
- 1" ladder tubing
- 250 lb maximum

LA-401\* Exterior Ladder Silver  
 LA-401BA\* Exterior Ladder Black

Hinged feature for non-straight/contoured or flat rear walls



### Starter Ladders



51-1/2" starter ladder

- 250 lb maximum (at a 10°-13° mounting angle)
- Shipped unassembled
- Made in the USA

LA-2022152\* Starter Ladder



# LADDER REPLACEMENT PARTS



## Universal Exterior RV Ladder Replacement Parts

1. 8535\*  
8535-B\* (black) Aftermarket Standoff assembly  
5" long, rectangular base  
1 per bag  
(Stromberg, Top Line, Surco)
2. 8531\*  
8531-B\* (black) OEM Standoff assembly.  
Shipped 12" long, trim to length.  
Round base  
1 per bag  
(Christianson Industries, Atwood and others)
3. 8521-BK\* Roof Mounting Bracket for LA-401  
and LA-401BA (black)  
1 per bag
4. 8525-BK\* Swivel Castings for LA-401  
and LA-401BA (black)  
1 per bag
5. 8535-CP\* (black) U-shaped cradle and bolt for standoff
6. FST-9975\* Standoff Nut only  
Used in the top of bunk ladders  
and in standoffs.  
1 per bag
7. 8540-NT\*  
8540-NTB\* (black) Replacement treads can be installed without  
disassembling ladder  
1 per bag
8. 8540-CP\* Screw-in end cap only  
1 per bag



## Bunk and Starter Ladder Replacement Parts

1. 8532-RB\* Rubber foot for LA-2022152 starter ladder  
and LA-2021460, LA-2021466, LA-2021460B  
LA-2021466B bunk ladders
2. 6538-PT\* Tread for LA-2022152 starter ladder and  
LA-2021460, LA-2021466, LA-2021460B  
LA-2021466B bunk ladders
3. 2150\* Hardware for LA-2021460, LA-2021466,  
LA-2021460B, LA-2021466B bunk ladders
4. 2151\* Hardware for LA-2022152 starter ladder

# RV EXTERIOR RACKS & RAILS



## Ladder Bike Rack

### Carries up to 2 bikes

- No rattling
- Made from aluminum
- 50 lb maximum capacity
- Length from bend to tip of extended bike arms is 13"
- Maximum distance between bike cradles is 9"
- Designed to attach to 1" round ladder tubing

LA-102\* Ladder Bike Rack



## Ladder Chair Rack

### The strap and buckle secure your chairs as you travel

- No rattling
- Made from aluminum
- Rack arms have a 7.5" span
- 50 lb maximum capacity
- Designed to attach to 1" round ladder tubing

LA-104\*

Ladder Chair Rack

# COMPLETE LANDING GEAR SYSTEM

LG-179013\*  
29-1/2" Lead Leg  
Drop Leg and Pin



LG-179014\*  
29-1/2" Follow Leg  
Drop Leg and Pin



LG-177202\*  
33-1/2" Lead Leg  
Drop Leg and Pin



LG-177201\*  
33-1/2" Follow Leg  
Drop Leg and Pin



LG-142178\*  
Standard Motor  
5000 lb,  
30A,  
80 RPM



LG-217884\*  
Standard Motor  
and IP  
Rated  
Switch\*\*



LG-242800\*  
High  
Speed  
Motor  
5000 lb,  
30A,  
150 RPM



LG-242728\*  
High Speed  
Motor  
and IP  
Rated Switch\*\*



LG-145236\*  
IP Rated Switch



LG-146059\*  
Lead Leg Repair Kit  
Venture only



LG-146060\*  
Follow Leg Repair Kit  
Venture only



LG-179015\*  
Aluminum Gear Box



7145-943-00\*  
Reduction Gear Box  
Retainer



LG-Brackets\*  
Weld-on Brackets  
Set of 2



LG-119113\*  
3/8" Pull Pins



LG-119225\*  
Foot and Pin  
(rectangle)



LG-210475\*  
9" Round Foot Pad



LG-XS\*  
1"x1" and 3/4" x 3/4"  
Telescoping Tubes



LG-119226\*  
Manual Crank Handle



LG-5\*  
Dual Power  
Conversion Kit  
29-1/2" Leg  
Standard Motor



LG-6\*  
Dual Power  
Conversion Kit  
33-1/2" Leg  
Standard Motor



## Electric Landing Gear

LG-1\* 29-1/2" Leg Standard Motor  
(lifts 5000 lb load 5" in 1.9 minutes)

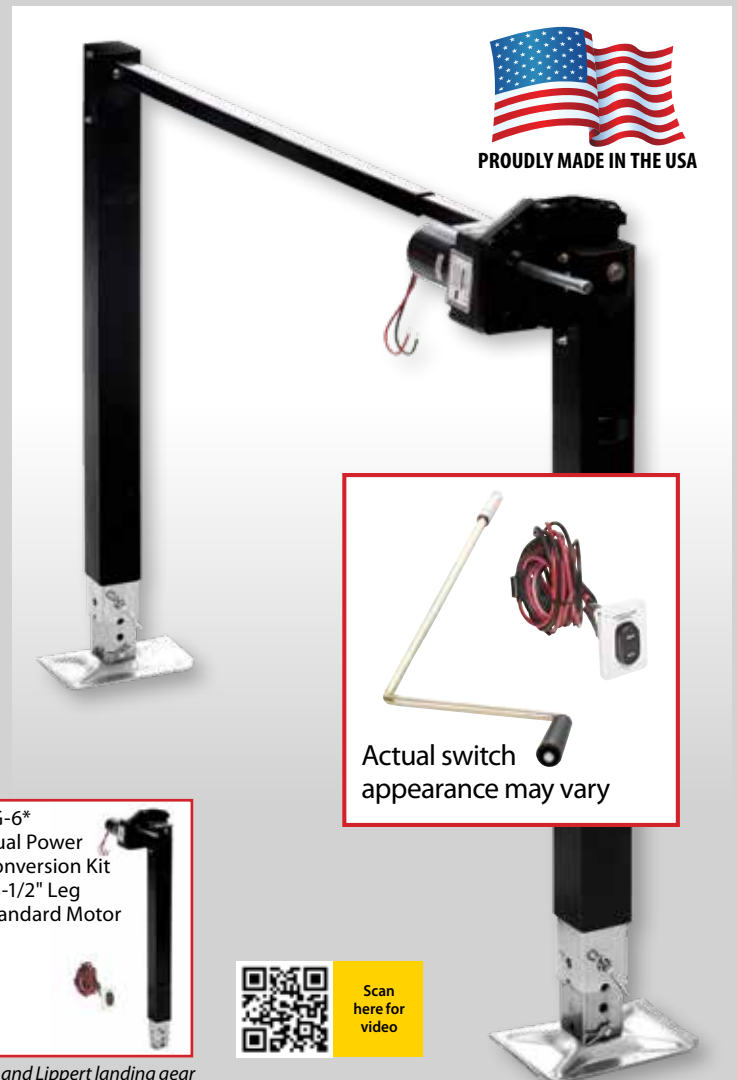
LG-2\* 33-1/2" Leg Standard Motor  
(lifts 5000 lb load 5" in 1.9 minutes)

LG-3\* 29-1/2" Leg High Speed Motor  
(lifts 5000 lb load 5" in 1.2 minutes)

LG-4\* 33-1/2" Leg High Speed Motor  
(lifts 5000 lb load 5" in 1.2 minutes)

## Manual Landing Gear

LG-183708\* 29-1/2" Leg



  
PROUDLY MADE IN THE USA



Actual switch appearance may vary



Scan here for video

\*\* Replacement motors and landing gear legs are compatible/interchangeable with both Venture and Lippert landing gear

# LAUNDRY ACCESSORIES



## Extend-A-Line



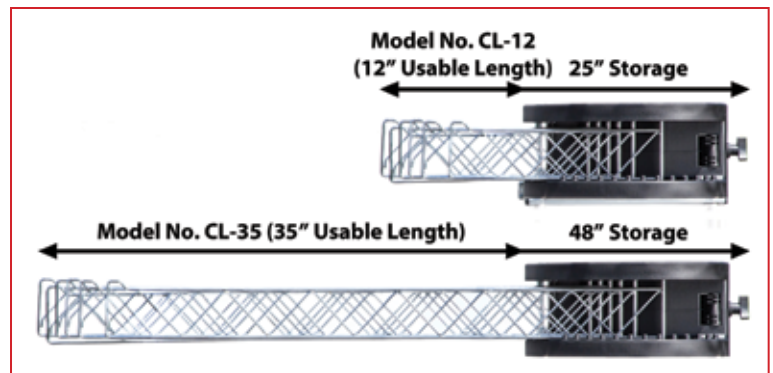
Six independent arms that can carry towels, suits and clothes on hangers

Supports 10 lb per arm, 60 lb maximum load when evenly spaced

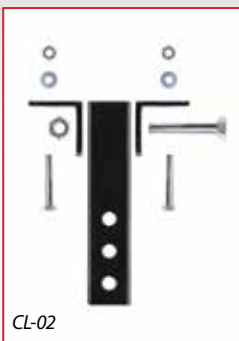
- Easily mounts to a 1" or 1-1/2" diameter exterior ladder with 9-5/8" to 10-1/8" spacing between upright tubing
- Bracket included for home use or RVs without ladders
- All arms fold to one side for storage (must be removed for travel)
- Alternate bumper and hitch mounts available (CL-01 and CL-02)
- Chrome plated arms and a plastic body resist rust
- Made in the USA

CL-12\* (12" usable line space)

CL-35\* (35" usable line space)



## Bumper Mounts



CL-02

CL-02\* allows CL-01 to be used in a 2" hitch



CL-01

CL-01\* attached on 4" square bumpers or 2" x 6" A frame

## Bumper Mount Clothes Line

- 48" long aluminum uprights
- Can be mounted up to 7' apart
- Strong and durable
- Can be removed for travel without tools
- Aluminum tubes are removable and the hardware can be used with a 4" square bumper

CL-100\* Bumper Mounted Clothes Line



# WE THOUGHT OF ALMOST EVERYTHING.

## The **SLIDE OUT** room for your shower!



### Extend-A-Shower

**Creates more room in your RV or home shower**

- Pivots into your shower stall when not needed
- Can be used to drip dry laundry over your shower basin
- Fits tubs 35"- 40" wide (can be trimmed for smaller openings)
- When not in use Extend-A-Shower pivots into your shower stall with no tools required

EXT-3542\* White Finish

EXT-3542S\* Satin Finish

### The Hot Stick

**Non-conductive wooden handle stays cool to the touch and accommodates 2-handed grip**

- Rust resistant stainless steel 3/8" shaft
  - Hooked shaft end to maneuver firewood and stoke ember
  - Nylon strap for convenient storage when not in use
  - 1-year limited warranty
- FP-42\* The Hot Stick



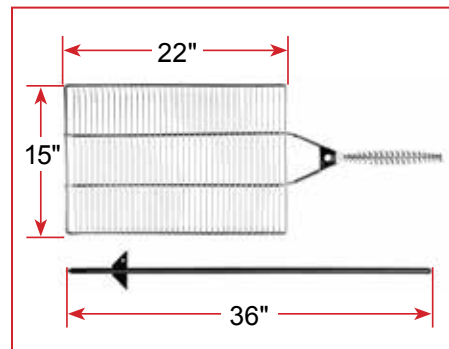
42" long poker to maintain safe distance from fire



### Stake & Grill

**Adjusts on stake to desired heat**

- Uprturned edges keep hot dogs and other food on the grill
  - Rotates 360 degrees
  - Chrome finish cleans easily
  - Wire handle insulates hand from heat
  - Nylon bag included to keep neat and tidy
- GR-1522\*



# OKAY, WE DID THINK OF EVERYTHING.



TO RV'S FRESH WATER INTAKE

TO CAMPGROUND WATER SUPPLY

## Hose & Cord Caddy



Holds up to 75' of fresh water hose or 30 and 50 AMP power cord

- 17" wide, 6-1/2" tall
- Stores hose accessories
- Each hose end unwinds, bulk of hose remains in caddy
- Made in the USA

HC-75\* Hose Caddy



Scan here for video



23.3" inside dimension

59.7" inside dimension

## Cargo Caddy

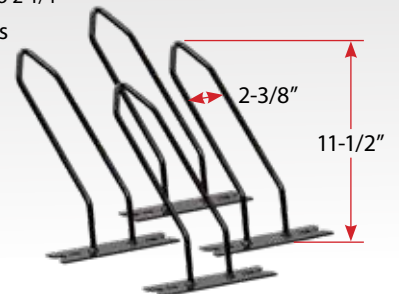
- Fits standard 2" receiver
- Supports up to 500 lb of evenly loaded cargo
- Inside dimensions 23.3" x 59.7"
- Powder coated to resist rust

CC-100\* Cargo Caddy

## Cargo Caddy Bike Rack

- Accommodates tire widths up to 2-1/4"
- Includes hardware for 2 bikes
- Wheel hoops bolt to mesh floor of cargo carrier
- Brackets can be turned either direction to corral bike tires
- Not tested on or approved for electric bikes

CC-125\* Cargo Caddy Bike Rack





# CARGO PRODUCTS

## Trailer Tray

Provides additional storage in the softest riding area of your trailer

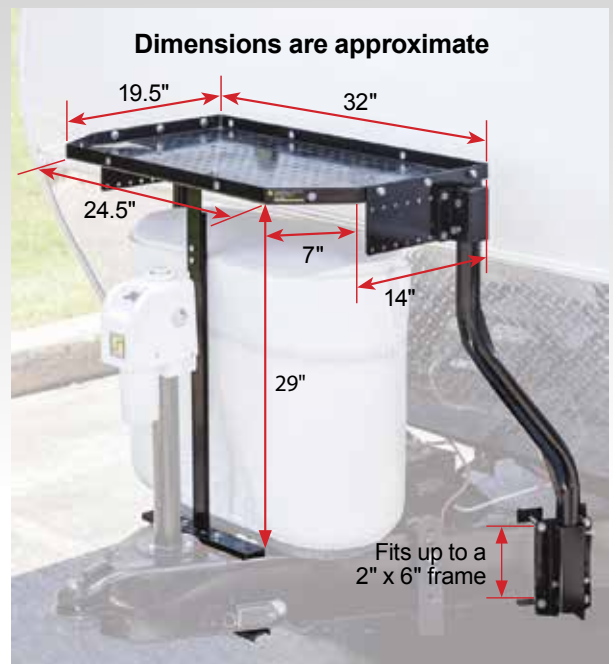
### Compatible with many accessories

- Positioned to provide softest ride
- Supports up to 300 lb
- 8 tie down locations spaced along the lip of tray
- Drain holes let water escape tray bottom
- Due to bent vertical post design, can mount on A frame at widths 14" to 55"
- Works best with soft, vinyl propane covers which allow access to LP tanks without removing tray

CC-255\* Trailer Tray



Scan for installation video



# CARGO PRODUCTS

## Bike Bunk

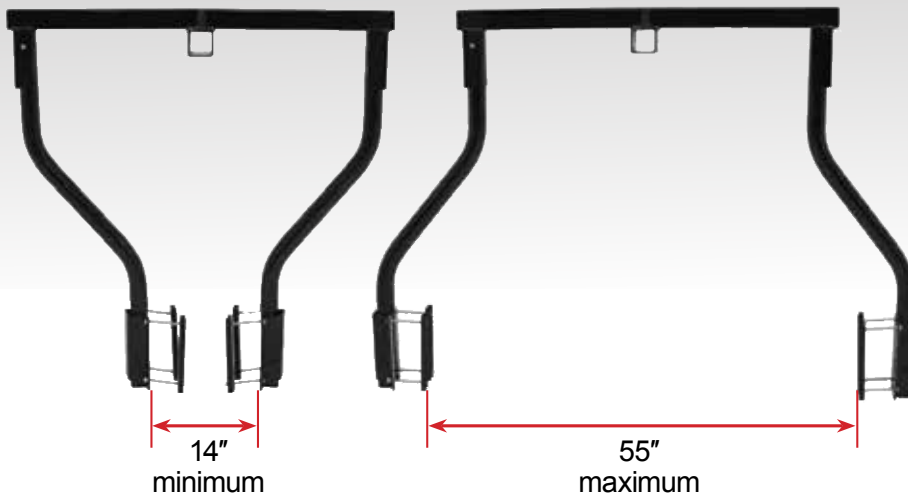
Designed for use  
with 2-place bike racks

- Raised receiver on A-frame
- Fits most RV approved bike racks designed for a 2" receiver
- All steel design supports up to 100 lb
- Works best with soft, vinyl propane covers which allow access to LP tanks without removing tray

CC-275\* Bike Bunk



Scan for  
installation  
video



Due to the bent design on the vertical posts, lower pockets can be mounted on your A-frame at widths varying from 14" to 55".



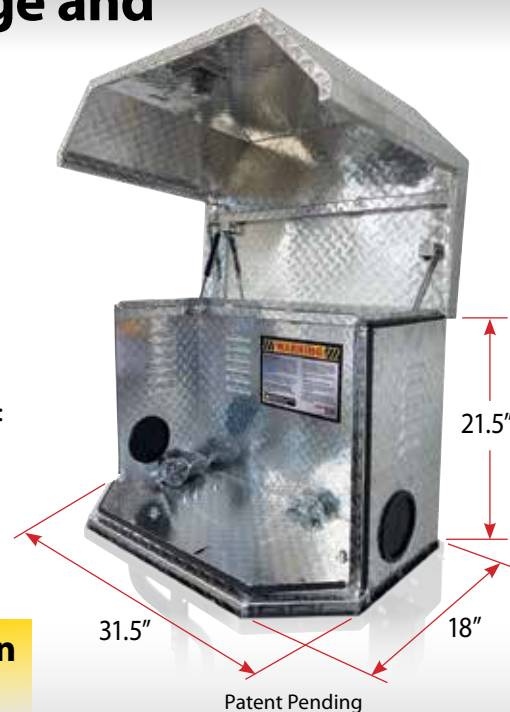
# CARGO PRODUCTS



## Gen Secure

Keeps generator and other gear secure in storage and while traveling

- Fits on Trailer Trays (CC-255)
  - Aluminum diamond plate won't rust
  - Keyed lock on handle
  - Tie down rings welded into box
  - Tie down straps provided
  - Maximum generator dimensions: 29" wide, 21" tall, 14-3/8" deep
- CC-200\*

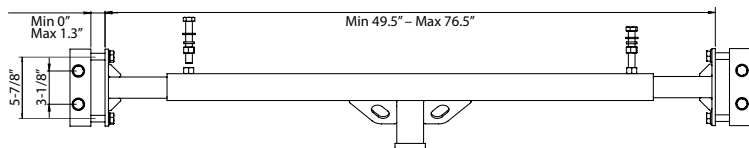


**New Size Available Soon**

## Adjustable Accessory Hitch



- 2" Hitch for Travel Trailers and Fifth Wheels
  - Bolts on as Class I or welds on as Class II hitch to frame
  - For use with bike racks, cargo carriers and other accessories
  - Can mount to side wall of frame or horizontal wall of "C" channel or "I" Beam with angled hardware
  - 77" maximum extension to flat wall frame, 80" maximum extension to horizontal surface of "C" channel or "I" Beam
  - Not to be used pulling cars or boats in Class 1 configuration
- CC-300\* Adj. Accessory Hitch



## RV Bumper Receiver

Can be used with most hitch-mounted accessories

- Fits up to 4-3/8" square bumpers
- Provides 2" receiver opening
- Supports up to 200 lb (Refer to bumper rating capacity)
- Heavy steel construction and zinc-plated hardware
- CANNOT be used for towing

BA-100\*  
RV Bumper Receiver



# RACK & RIDE. REPEAT OFTEN.

## BIKE CARRIERS



**All of our  
two bike racks  
can be used on  
Motorhomes,  
Travel Trailers  
and Fifth Wheels.**

We always recommend they be used with our Bike Bunk Model No. CC-275, but our bike racks will also work in any of our accessory hitches.

### Two Bike Platform Mount Carrier

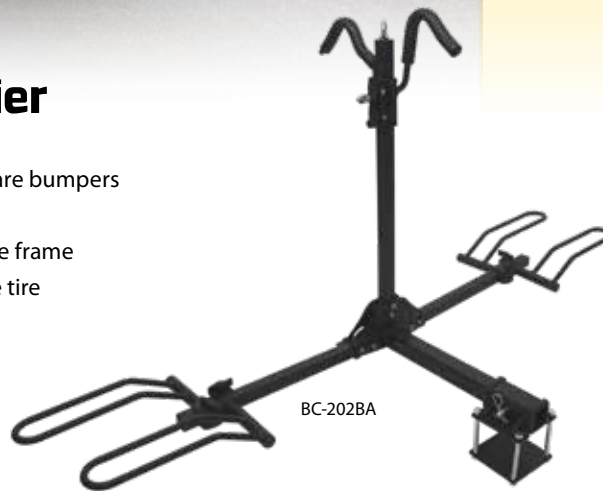


- BC-202 fits 2" receiver
- BC-202BA fits 4" and 4-1/2" square bumpers
- Tilts down for access to vehicle
- Wheel mounts adjust to any size frame
- Tire cradle fits up to 2-1/2" wide tire
- Weight capacity 80 lb

BC-202\* Two Bike Carrier

BC-202BA\* Two Bike Carrier  
(Bumper Accessory  
Hitch included)

BC-2FT\* Fat Tire Adapter



Scan for  
installation  
video

### Four Bike Platform Mount Carrier



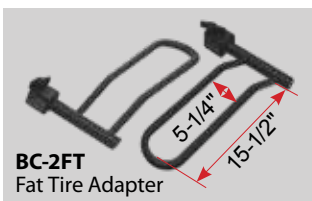
- Fits 2" receiver
- Tilts down for access to vehicle
- Wheel mounts adjust to any size frame
- Tire cradle fits up to 2-1/2" wide tire
- Weight capacity 160 lb

BC-204\*  
Four Bike Carrier

BC-2FT\*  
Fat Tire Adapter



Scan for  
BC-204  
review  
video

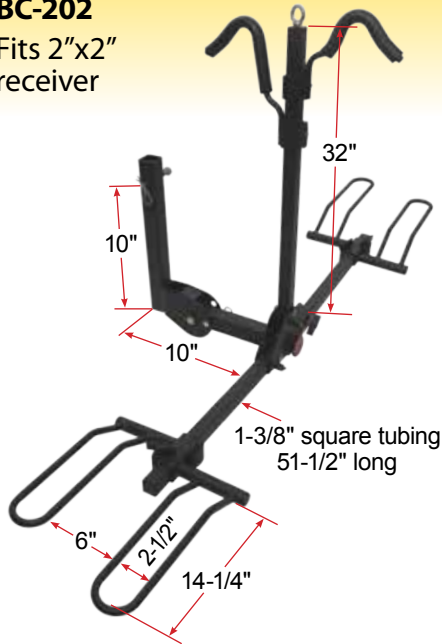


# BIKE CARRIER SPECIFICATIONS

# STROMBERG RAILS

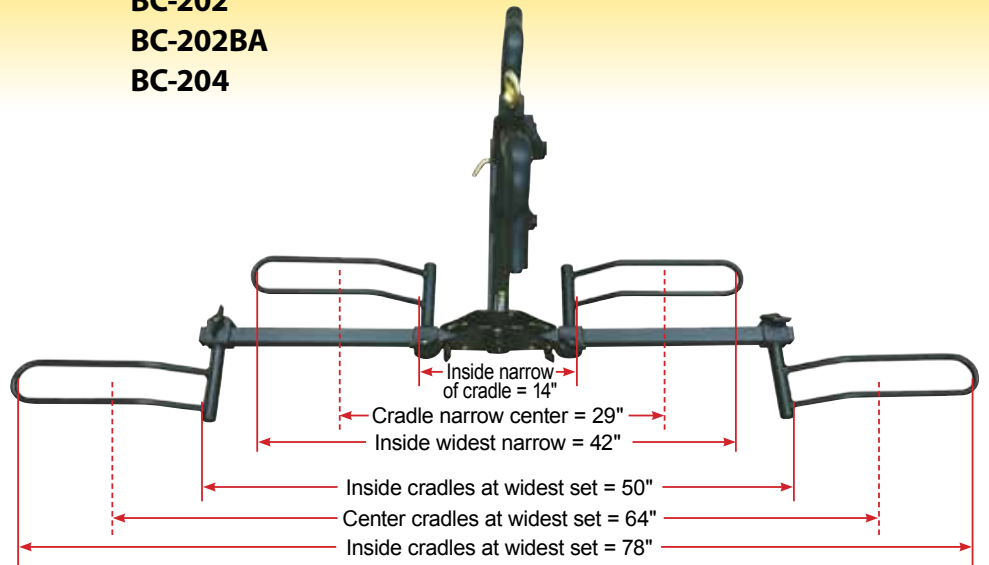
## Two Bike Platform Mount Carrier

**BC-202**  
Fits 2"x2" receiver



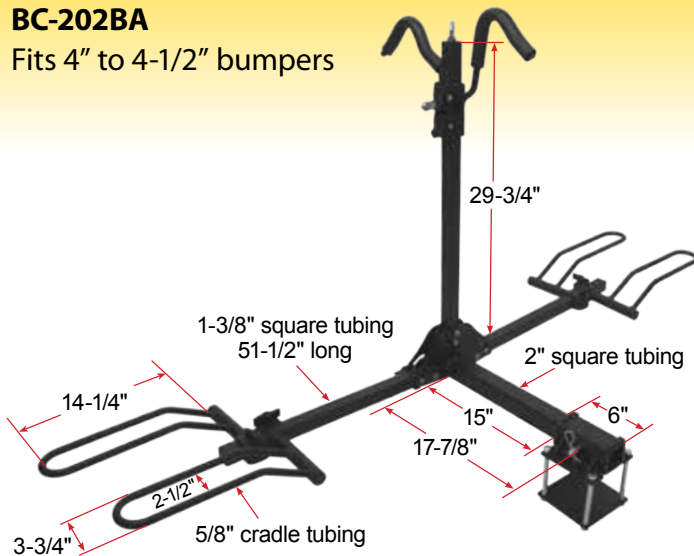
## Bike Platform Mount Carriers

**BC-202**  
**BC-202BA**  
**BC-204**



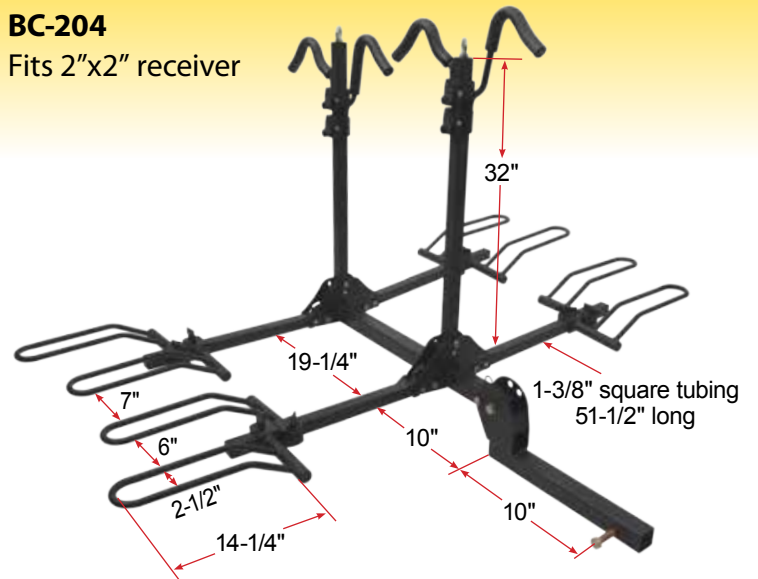
## Two Bike Platform Mount Carrier

**BC-202BA**  
Fits 4" to 4-1/2" bumpers



## Four Bike Platform Mount Carrier

**BC-204**  
Fits 2"x2" receiver



# DURABILITY YOU CAN TRUST DOWN THE ROAD.

## VENTED TAILGATES



Visit our website for the most up-to-date fits



### 100 Series Gate

Durable steel design, vented to maximize air flow



- Open design improves vision
- Custom fitted
- 100 lb weight limit
- For full size trucks only
- 1 year limited warranty
- Made in the USA

### 4000 Series Gate

Lightweight, durable glass-filled composite gate with louvers that will never rust.



- Gate improves vision, reduces drag
- Accessory louvers and privacy insert available
- Rotary latches and cables included
- Key locks gate onto truck
- Single-handed release
- 2 year limited warranty
- Made in the USA

	FORD 2020 - 2025 no current fits		GM / CHEVY 2019 - 2025 no current fits		DODGE 2019 - 2025 no current fits		TOYOTA-TUNDRA	
150 1500	1987-1996	VG-100*	1988-1998 & 1999-2000 (OB)	VGM-88-100*	1995-2001	VGD-94-101*	2007-2013 & 2014-2020**	VGT-70-4000* VGT-70-100*
	1997-2003 & 2004 (HE)	VG-97-4000* VG-97-100*	1999-2006 (CB)	VGM-99-4000* VGM-99-100*	2002-2008 & 2009**	VGD-02-4000* VGD-02-100*		
	2004** & 2005-2014	VG-04-4000* VG-04-100* **	2007-2013	VGM-07-4000* VGM-07-100*	2010-2018	VGD-10-4000* VGD-10-100*		
	2015-2019	VG-15-4000* VG-15-100*	2014-2018	VGM-14-4000* VGM-14-100*				
250 2500	1987-1997	VG-100*	1988-1998 & 1999-2000 (OB)	VGM-88-100*	1995-2002	VGD-94-101*	(HE) = Heritage Edition (LD) = Light Duty (CB) = Classic Body Style (OB) = Old Body Style ** Functional Fit Only	
	1997-1999 (LD) & 1999-2016	VG-97-4000* VG-97-100*	1999-2007 (CB)	VGM-99-4000* VGM-99-100*	2003-2009	VGD-02-4000* VGD-02-100*		
	2017-2019	VG-15-4000* VG-15-100*	2008-2013	VGM-07-4000* VGM-07-100*	2010-2018	VGD-10-4000* VGD-10-100*		
350 3500			2014-2018	VGM-14-4000* VGM-14-100*				
	1987-1997	VG-100*	1988-1998 & 1999-2000 (OB)	VGM-88-100*	1995-2002	VGD-94-101*		
	1999-2016	VG-97-4000* VG-97-100*	1999-2007 (CB)	VGM-99-4000* VGM-99-100*	2003-2009	VGD-02-4000* VGD-02-100*		
	2017-2019	VG-15-4000* VG-15-100*	2008-2013	VGM-07-4000* VGM-07-100*	2010-2018	VGD-10-4000* VGD-10-100*		
		2014-2018	VGM-14-4000* VGM-14-100*					



# DOING MORE TO GROW YOUR SALES.

# STROMBERG RAILS

## Tongue Jack Display\*\*

Available in 36" or 48" wide (48" display shown)

### KIT-TJ03

36" Display Kit includes:

- DSP-TJ03\* Display Shelf
- DSP-TJ01\* Display Sign
- DSP-SC03\* Display Sign Clips
- DSP-TJ07\* Logo decal
- DSP-SH01\* Sign Header
- DSP-SH02\* Sign Header Hardware



**DISPLAY SIGN CLIPS**  
DSP-SC03\*  
For a fast and easy installation and an extremely secure hold

### PRODUCT DISPLAY SIGN

- DSP-TJ01\* | 30" x 36"
- DSP-TJ02\* | 30" x 48"

### KIT-TJ04

48" Display Kit includes:

- DSP-TJ04\* Display Shelf
- DSP-TJ02\* Display Sign
- DSP-SC03\* Display Sign Clips
- DSP-TJ07\* Logo decal
- DSP-SH01\* Sign Header
- DSP-SH02\* Sign Header Hardware

### DISPLAY SHELF

- DSP-TJ03\* (36" Shelf)
  - DSP-TJ04\* (48" Shelf)
- Powder coated metal shelf with tie wraps to secure product  
Exact shelf profile may vary

### PRODUCT BILL OF MATERIAL\*

- (1) JET-2500
- (1) JET-3555 White
- (1) JET-3755 Black
- (1) JET-5000
- (6) JET-30



**LOGO DECAL**  
DSP-TJ07\*  
5" x 5"

\*\*Product not included in kit



## Hose Caddy Display\*\*

DISP-HC75-2UP\*

### PRODUCT BILL OF MATERIAL

- (12) HC-75 Hose Caddy

\*\*Product not included



### PRODUCT DISPLAY SIGN

- DSP-HC1\*  
17" x 14"



## Stake & Grill Display\*\*

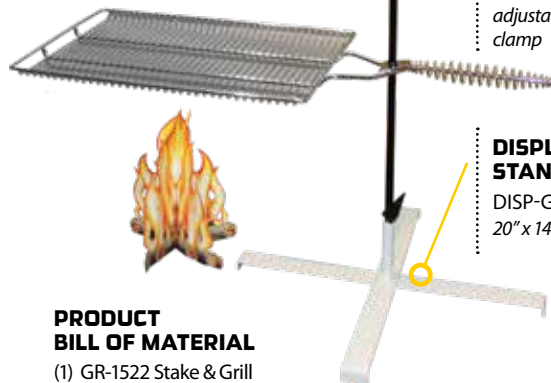
### PRODUCT DISPLAY SIGN

- DSP-GR01\*  
8.5" x 11"



### DISPLAY SIGN CLIPS

- DSP-GR02\*  
Nylon adhesive back ratchet clip, adjustable cable clamp



### PRODUCT BILL OF MATERIAL

- (1) GR-1522 Stake & Grill

### DISPLAY STAND

- DISP-GR1522\*  
20" x 14" x 4"

## Banister Rail Display\*\*



### PRODUCT DISPLAY

- DISP-ARRAIL  
Fits over 48" high shelf unit or into slot wall

# DEALER POINT-OF-SALE DISPLAYS

## Lend-A-Hand and Platform Steps Display\*\*

DISP-AC530L



**SIGN HEADER**  
DSP-LH02\*  
36" x 8"

**RAIL DISPLAY**  
DISP-AMRAILS

### PRODUCT BILL OF MATERIAL\*\*

- |                   |                                     |                         |                            |
|-------------------|-------------------------------------|-------------------------|----------------------------|
| (3) AM-800 Black  | (4) AM-ZIP39C Zip Grip              | (2) AH-100 Handle White | (4) FP-1002-R AM Foam Wrap |
| (3) AM-200 White  | (3) PA-150 Platform Step            | (2) AH-150 Handle Black | (3) AM-250 Mini White      |
| (2) AM-300 Silver | (3) PA-275 Adjustable Platform Step | (6) AM-01 Dura Grip     | (3) AM-255 Mini Black      |

## Extend-A-Line

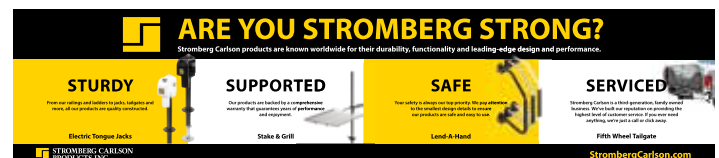


**DISPLAY DECAL**  
DSP-EL01\*  
17" x 11.5"

**SIGNAGE SLEEVES**  
DSP-EL02\*  
10" x 3.75" x 1"  
assembled size

- SUNSHINE.
- FRESH AIR.
- COOL BREEZES.
- WHO NEEDS A DRYER?
- THERE'S MOTHER NATURE.
- AND STROMBERG.

## Sign Header DSP-SH01 36" x 8", 2 sided



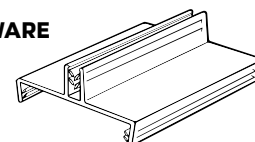
Side 1



Side 2

### SIGN HEADER HARDWARE

DSP-SH02\*  
Clear PVC grips signs securely  
and are easy to relocate



\*\*Product not included



# A SMARTER POINT-OF-SALE SYSTEM

## Leveling & Stabilizing Displays\*\*



### PRODUCT BILL OF MATERIAL\*\*

- (2) JBP-T217.1 T-Checks, single pack
- (4) JBP-T217.2 T Checks, 2 packs
- (2) JBP-C300 Base Pad Leveler, single pack
- (4) JBP-C302 Base Pad Levelers, 2 packs
- (12) JBP-712.1 Base Pad Extremes
- (6) JBP-813.1 Base Pad Peak
- (1 set of 6) JBP-S9.6 Base Pad Shoe, 9"
- (2 sets of 3) JBP-S10.3 Base Pad Shoe, 10", 3 packs
- (6) JBP-1214.2 Base Pad, 12"x14"x2"
- (6 sets of 2) JBP-1214.1 Base Pad, 12"x14"x1", 2 packs
- (6 sets of 2) JBP-1011.1 Base Pad, 10"x11"x1", 2 packs
- (4 sets of 4) JBP-69.625 Base Pad, 6"x9"x.625", 4 packs
- (6) JBP-C256 Trucker Style Wheel Chock
- (1 Kit) JBP-TTKIT Travel Trailer Stabilizing & Leveling Kit
- (1 Kit) JBP-FWKIT Fifth Wheel Stabilizing & Leveling Kit



### PRODUCT BILL OF MATERIAL\*\*

- (2) JBP-T217.1 T-Checks, single pack
- (2-3) JBP-T217.2 T Checks, 2 packs
- (2) JBP-C300 Base Pad Leveler, single pack
- (2) JBP-C302 Base Pad Levelers, 2 packs
- (6 sets of 2) JBP-1214.1 Base Pad, 12"x14"x1", 2 packs
- (6) JBP-1214.2 Base Pad, 12"x14"x2"
- (6 sets of 2) JBP-1011.1 Base Pad, 10"x11"x1", 2 packs
- (6 sets of 4) JBP-69.625 Base Pad, 6"x9"x.625", 4 packs
- (6) JBP-C256 Trucker Style Wheel Chock
- (1-2 Kit) JBP-TTKIT Travel Trailer Stabilizing & Leveling Kit
- (1-2 Kit) JBP-FWKIT Fifth Wheel Stabilizing & Leveling Kit

\*\*Product not included

### TRAVEL TRAILER STABILIZING & LEVELING KIT

- 1 Base Pad Peak
- 1 Base Pads (4 Pack) (6" x 9" x .625")
- 2 Wheel Chocks
- 2 Base Pad Levelers (includes chocks and anti-slip mats)
- 1 Storage Bag



### FIFTH WHEEL STABILIZING & LEVELING KIT

- 4 Base Pad Extreme
- 4 Wheel Chocks
- 1 Storage Bag



# DEALER POINT-OF-SALE DISPLAYS

## Small Display Sign DSP-JBP712 24" x 12", 2 sided



Side 1



Side 2

## Small Display Sign DSP-JBP813 24" x 12", 2 sided



Side 1



Side 2

## Small Display Sign DSP-AR02 24" x 12", 2 sided

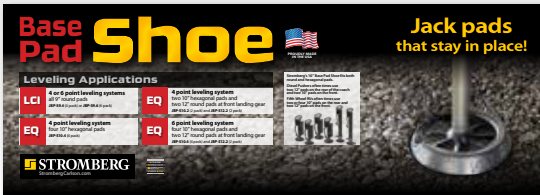


Side 1

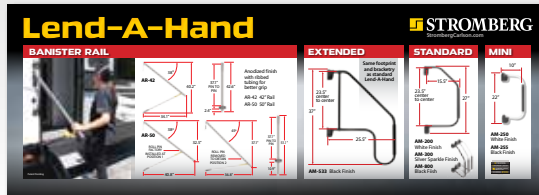


Side 2

## Large Display Sign DSP-AR01 34" x 12", 2 sided



Side 1



Side 2

## Large Display Sign DSP-JBP2021 44" x 12", 2 sided



Side 1



Side 2

## Large Display Sign DSP-JBP2023 44" x 12", 2 sided



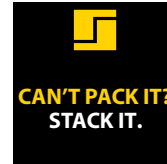
Side 1



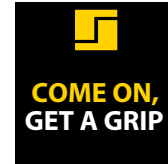
Side 2

## Shelf Talkers

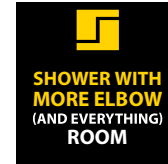
3" x 3" each



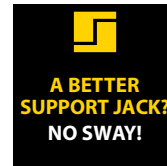
**CARGO CADDY SHELF TALKER**  
DSP-ST01\*



**LEND-A-HAND SHELF TALKER**  
DSP-ST02\*



**EXTEND-A-SHOWER SHELF TALKER**  
DSP-ST05\*



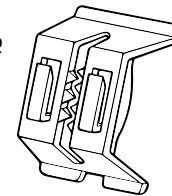
**TONGUE JACK SHELF TALKER**  
DSP-ST04\*



**STEP STOOL SHELF TALKER**  
DSP-ST03\*

### SHELF TALKER HOLDER

DSP-ST06\*  
Clips securely hold all types of signs in flag position



## NEW PRODUCTS

### LEND-A-HAND Banister Rail

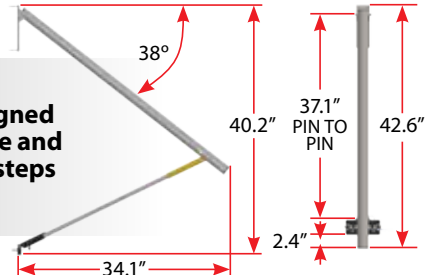
Banister style rail provides steady, smooth support as you go up or down steps

#### Available in two sizes

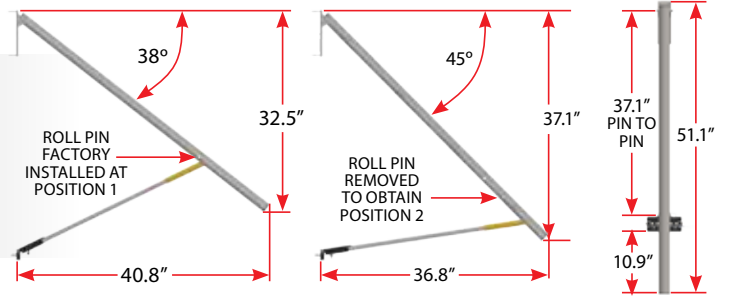
- Anodized finish with ribbed tubing for better grip
- Folds flat and locks against the side of RV without tools

AR-42\* 42" Rail  
AR-50\* 50" Rail

42" rail designed for all double and some triple steps



50" rail designed for some triple and all quad steps  
50" rail offers two angle positions



Scan for installation video

Patent Pending



### TONGUE JACK Dolly Chock



Dolly will never roll away again

- Fits 6" and 8" single wheels
- Fits 6" tandem wheels
- Fits 5.5" and 6" round jack feet
- Drain hole provided and handle for carrying
- Molded EPDM rubber (not crumb rubber) will not split, shred, crack or break
- Made in the USA

JBP-TJ6\*



## 2025 PRODUCT CATALOG

[WWW.STROMBERGCARLSON.COM](http://WWW.STROMBERGCARLSON.COM)

**WARNING:** Cancer and Reproductive Harm – [www.P65Warnings.ca.gov](http://www.P65Warnings.ca.gov)

\*While none of our products directly represent a risk of cancer or birth defect, many fasteners and finishes could if oral contact occurs.

